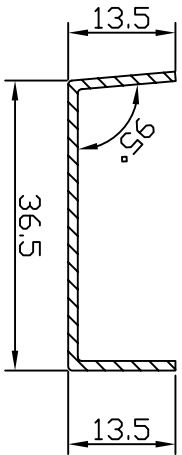
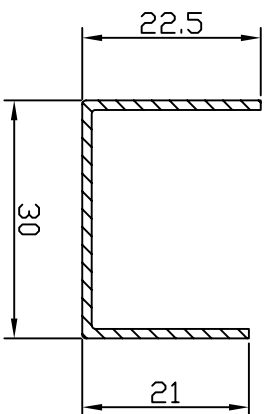


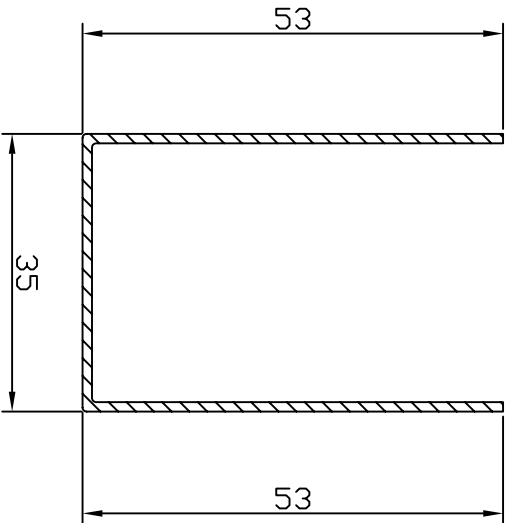
NKU036/HF80NC, SE70
HF 80-TNC



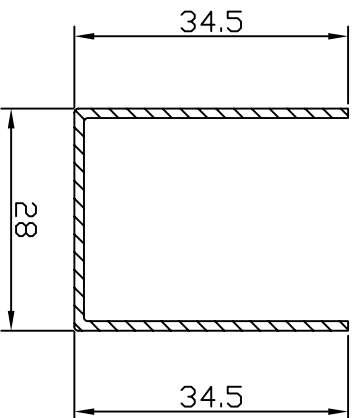
NKU088/HF 88-48NC



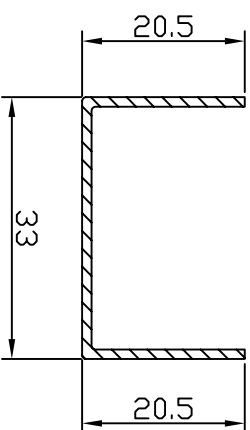
NKU711/FR71-1NC



NKU104/FR104NC, SF104NC



NKU092/HF92NC, SE60NC
HF 60NC, FF 60-TNC



NKU712/FR71-2NC

| | | | | | | | |
|---|-----|----------------------|------------------|-------------|------------|---------------|--|
| SCALE | 1:1 | DRAW BY | HR.NIENGAKHON N. | DATE | 08/09/2014 | MATERIAL | |
| | | REVIEW BY | HR.NIENGAKHON N. | DATE | 08/09/2014 | QUANTITY | |
| | | APPROVE BY | | DATE | | | |
| DESCRIPTION: | | PROFILE DRAWING | | DRAWING No. | | NIENGAKHON N. | |
| NAKORN POLYMER CO., LTD. ๑๒๒๑ ถนนวิภาวดีรังสิต กรุงเทพฯ ๑๐๑๖๐ | | PRODUCT No. 001/2014 | | ADD: 1/2014 | | | |