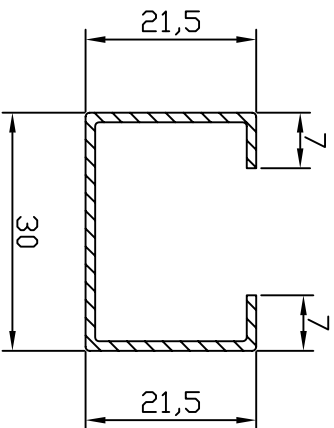
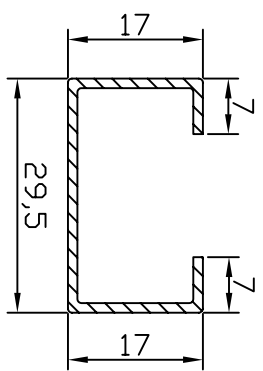


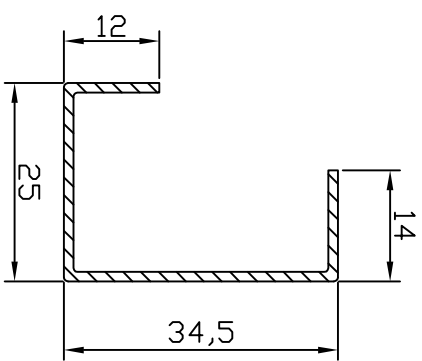
NKC001/BR58NC
BR58-TNC, BR58-NNC



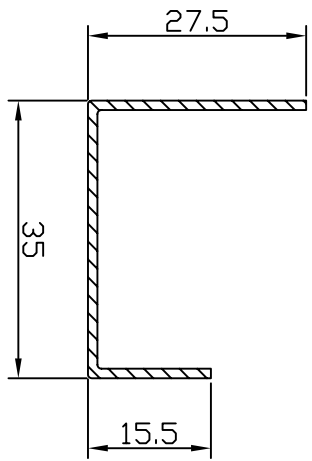
NKU095/HF 95NC, SE60NC
HF 60NC, HF 60-TNC



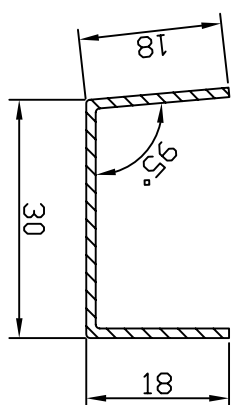
NKC002/HF 88NC, F B68-88NC
FB51NC, SP67NC, SE88-TNC
HF 92NC, F B52NC, F B68-92NC



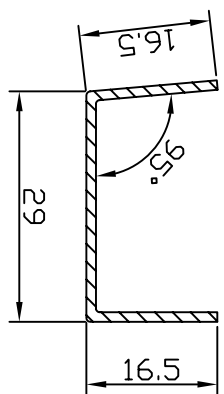
NKC003/SF78C



NKU078/SF78NC
SF78-TNC



NKU066/SF66NC
SF66-TNC



NKU610/SF61NC

SCALE	1:1	DRAW BY	HR.NIENGAKHON N.	DATE	08/09/2014	MATERIAL	
		REVIEW BY	HR.NIENGAKHON N.	DATE	08/09/2014	QUANTITY	
		APPROVE BY		DATE			
DESCRIPTION:		PROFILE DRAWING		DRAWING No.		NIENGAKHON N.	
NAKORN POLYMER CO., LTD. ๑๒๒๒ มอเตอร์ ๒๒๒๒		PRODUCT No. 001/2014		ADD. 1/2014			