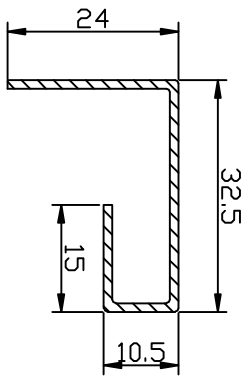
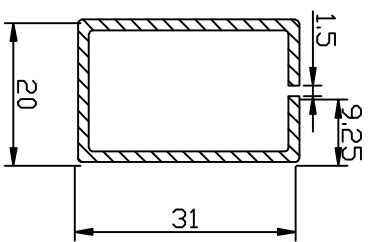


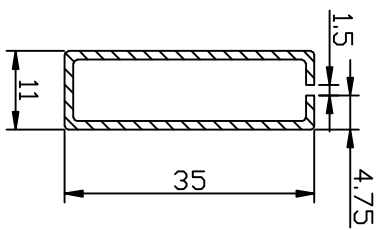
597.001.12



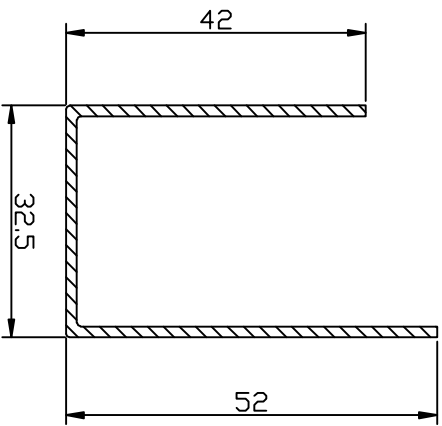
597.003.12



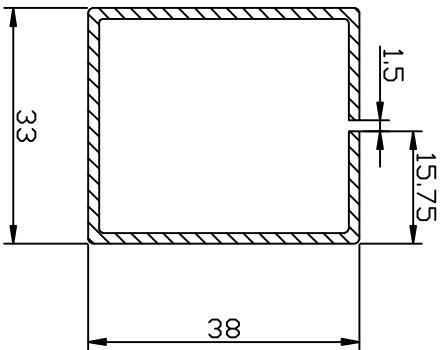
597.002.15



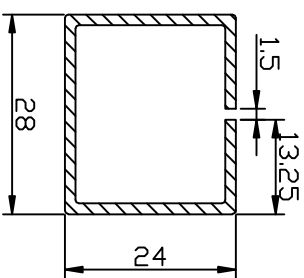
597.005.12



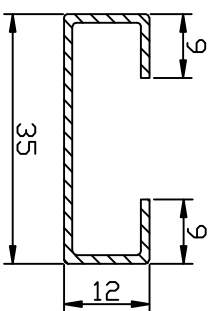
597.006.15



597.007.15



597.012.15



597.008.12

SCALE	1:1	DRAW BY	HRMUNENKAKHON N.	DATE	31/10/2014	MATERIAL	
		REVIEW BY	HRMUNENKAKHON N.	DATE	31/10/2014	QUANTITY	
APPROVE BY		DESCRIPTION:		DRAWING NO.		MENENKAKHON N.	
		PROFILE STEEL MAIN					
PRODUCT No. 006/2014		ADD. 6/2014					

