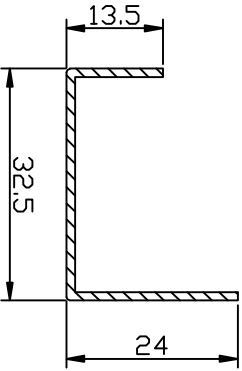
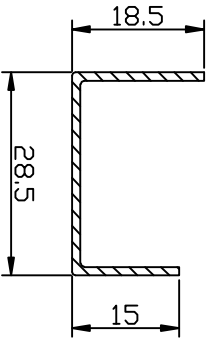


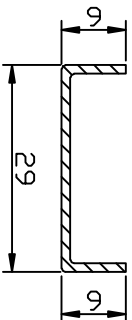
597.011.15



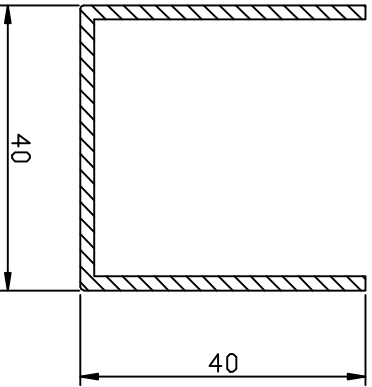
597.004.12




597.010.12



597.009.12



602.002.20

	SCALE	1:1	DRAW BY	MR. ANENGKAM N.	DATE	31/10/2014	MATERIAL	
			REVIEW BY	MR. ANENGKAM N.	DATE	31/10/2014	QUANTITY	
	DESCRIPTION:		DRAWING NO.					
	PROFILE STEEL BATU		NIENKAM N.					
	PRODUCT No. 006/2014		ADD. 6/2014					
							