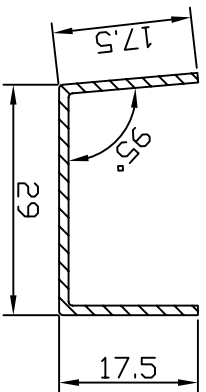
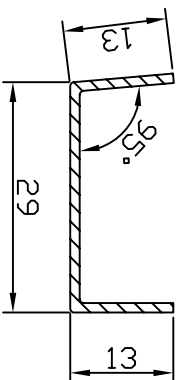


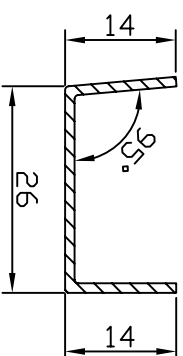
NKU056/SF56



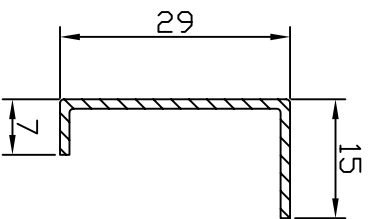
NKU024/SF66



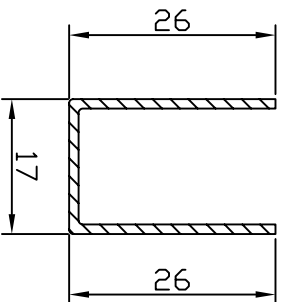
NKU057/SF57



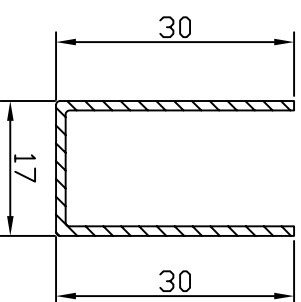
NKU054/SF54



NKU60N/MF60N



NKU460/SE76



NKU76N/PZ76N

SCALE	1:1	DRAW BY	HR.NIENGNAKHON N.	DATE	13/09/2014	MATERIAL	
		REVIEW BY	HR.NIENGNAKHON N.	DATE	13/09/2014	QUANTITY	
		APPROVE BY		DATE			
DESCRIPTION:		PROFILE DRAWING		DRAWING No.		NIENGNAKHON N.	
NAKORN POLYMER CO., LTD. ๑๒๒๑ ๑๒๒๑ ๑๒๒๑ ๑๒๒๑		PRODUCT No. 002/2014		ADD		2/2014	