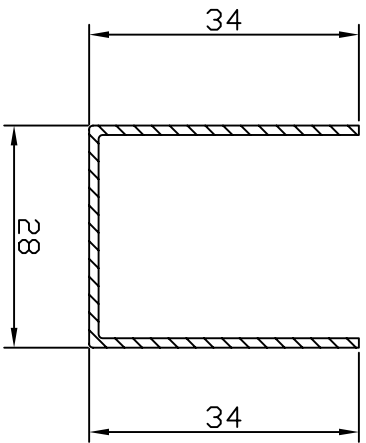
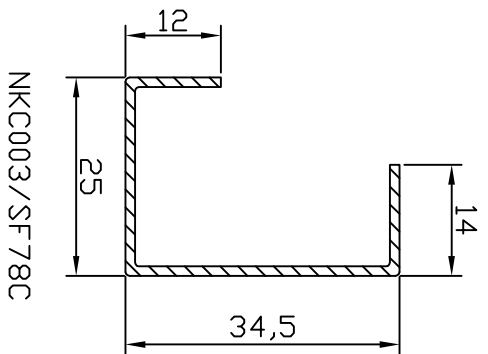


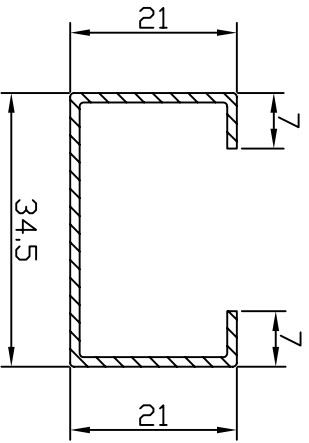
NKU104/SF104NC



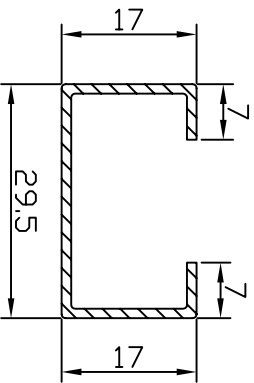
NKU092/SF92NC



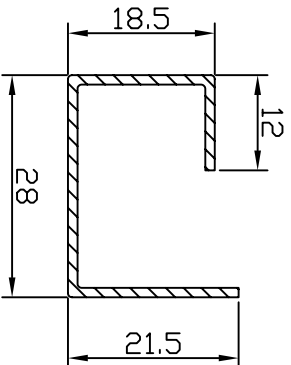
NKC003/SF78C



NKC080/HF80



NKC001/HF88S



NKC001/BR60

SCALE		1:1	
DRAW BY	HR/NIENGAKKHON N.	DATE	13/09/2014
REVIEW BY	HR/NIENGAKKHON N.	DATE	13/09/2014
APPROVE BY		DATE	
DESCRIPTION:		DRAWING No.	
PROFILE DRAWING		NIENGAKKHON N.	
PRODUCT No. 002/2014		ADD 2/2014	

